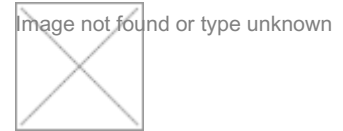


Data sheet

Commercial Art.No.: R1.100.0329.0

magnet switch set SMA 0329

safety switch and magnet, manipulation safe, round-shaped design, dimensions diameter x length: M30x32mm, normally open / normally open contact, protection category: IP67, connection: M8



Commercial Art.No.	R1.100.0329.0
EAN	4049088014611
Order Unit	1

certificates / approvals



Technical data

general

suitable for safety functions	yes
housing material	plastic
number of protected contact energized outputs	2
type of electric connection	connector M8
construction type housing	cuboid
protected switch distance OFF	20 mm
cross-/short circuit identification possible	yes
degree of protection (IP)	IP67
type of actuation	magnet

safety parameters

category (ISO 13849-1)	4
PL (ISO 13849-1)	Level e
SIL _{CL} (IEC 62061)	3
HFT	1
T _M	20 a

output circuit

max. output current at protected output	200 mA
min. output current	5 mA
min. rated supply voltage at DC	5 V
max. rated supply voltage at DC	48 V

other

voltage type	DC
number of protected semiconductor outputs	0
type of switch output	other

dimensions

diameter sensor	30 mm
-----------------	-------

length of sensor	32 mm
------------------	-------

classification

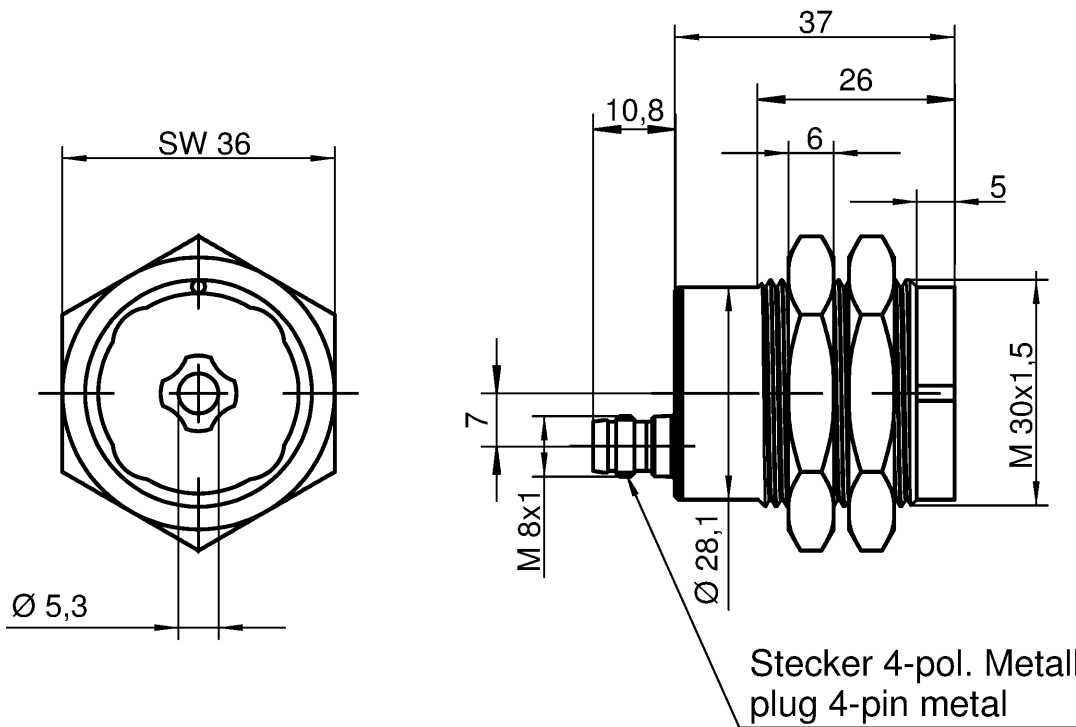
ECLASS 11	
ECLASS 8.1	27270105
ETIM 9.0	EC002544
ETIM 8.0	EC002544
ETIM 7.0	EC002544
ETIM 6.0	EC002544
ETIM 5.0	EC002544
ETIM 4.0	EC002544

product compliance

ROHS conformity status	compliant
REACH-SVHC conformity status	compliant

Accessories

Commercial Art.No.:	Article-type description:	Description:



Weitergabe sowie Vervielfältigung dieses Dokuments, Verwertung und Mitteilung
 seines Inhalts sind verboten, soweit nicht ausdrücklich gestattet.
 The reproduction, distribution and utilization of this document as well as the
 communication of its contents to others without express authorization is prohibited.

Qu - PEE 12/92

Teile-Nr. / Part-No.
R1.100.0319.0
R1.100.0329.0

Weitere Angaben siehe KATALOG oder eKatalog. Additional data see CATALOG or eCatalog. www.wieland-electric.com eshop.wieland-electric.com

ja/yes Stoffverbots- und Deklarationsliste nach WN 5020.010 ist einzuhalten.
 Conformity with Wieland document WN 5020.010 e (list of prohibited / declarable hazardous substances) to be declared!

Freitoleranz nach General tolerance		CAD-Zeichnung, keine manuellen Änderungen CAD-Drawing, no manual modifications allowed		1. Verwendung: First Use:		Blatt: Sheet:	
Werkstoff/ Material		2015	Tag/ Date	Name		Zeichnung Nr./ Drawing No.	
Maßstab/Scale		gezeichnet drawn	26.05.	Kötzner		T R1.100.0319.0 01K	
		geprüft checked					
Datei/ File: 042011__01K.DCD		Ersatz für/ Replacement for:		Maße in mm/Dimensions are in mm			
Index		Type		Benennung/ Title		Teilespezifikation / Component specification	
Datum/ Blatt Date/ Sheet		www.wieland-electric.com		SMA Magnetschalter rund / Machine safety switch, round			
Änderung/ Revision							